



MX-C300W/MX-C250F

A4 Colour MFPs

www.sharp.co.uk

SHARP
Be Original.

Compact and Productive

Powerful, compact and affordable. These MFPs are right for you.

The more successful you are, the more there is to do. And, somehow, there never seems to be enough time, money, people or space. Which is why, if you're looking for a new multifunction printer (MFP) you should take a close look at the Sharp MX-C300W or MX-C250F.

The two models are capable of printing and copying at speeds of either 30 or 25 pages per minute (ppm). And that's regardless of whether you're working with black & white or full colour documents. That's plenty of performance for any small workgroup and more than enough for personal use.

But print speeds are just one part of the productivity equation. That's why we've designed these MFPs to print and copy on both sides of the page automatically, saving you time and effort while reducing paper consumption.

A 50-sheet document feeder (35-sheet if you choose the MX-C250F) lets you scan as many as 9 full colour pages every minute at the full 600 x 600 dpi resolution. Just load your documents and let the MFP do its job while you get on with something else.



Choice of Document Feeders

Fits where you want, does what you need

These MFPs are a great choice if you're short on space.

Not only do they have a surprisingly compact design but you can increase the paper supply right the way up to 800 sheets without using more desk space.

Both models are equipped with a handy USB port for walk-up printing and scanning with a memory stick. And if you choose the MX-C300W, you can connect it to a wireless network and print wirelessly from your smartphone or tablet.

SHARP
MX C300W



Secure and Energy Efficient

Resources are precious, we help you make the most of them.

The MX-C300W and MX-C250F are small in size and smart in design. Both come with an easy-to-read LCD control panel with programmable function keys, and their two-component development system delivers quality that's sure to impress.

Other useful features include comprehensive fax functionality (with PC-Fax and inbound routing for sending faxes to pre-defined network folders) and ID Card Copy.

ID Card Copy makes it easy to copy both sides of a card (such as an ID card or credit card, for example) on to a single page. It's convenient, and it saves you money.



Option 500-sheet paper drawer

Built-in security

If you're in a shared office you might want to control who can use your MFP. And you certainly don't want sensitive documents being left out in the open.

With User Authentication, we help you restrict access to authorised users who can 'unlock' the device by identifying themselves with a personal 5-digit security code.

For extra peace of mind, Sharp uses IPsec technology to encrypt data and to make sure that your system isn't communicating with any unidentified users.

Energy Efficiency

No one likes to waste energy. And that's another reason to put the MX-C300W and the MX-C250F at the top of your shopping list. For a start, their low power consumption and rapid warm-up times bring real savings.

They also have a special Toner Save Mode which reduces the amount of toner used for images and graphics without compromising the quality of the text. They even switch themselves off if you haven't used them for a set period of time.

If your business strives for efficiency and a reduction in waste, you'll love these compact desktop MFPs.

Specifications

General

Engine speed (ppm/cpm) (Max)	
MX-C300W	30
MX-C250F	25
Paper size (Min – Max)	A6R – A4R
Paper weight (g/m ²)	
Tray	60 - 105
Multi-bypass	50 - 220
Optional Tray	60 - 105
Paper capacity (Std – Max)	
Sheets	300 – 800
Drawers	1 – 2
Warm-up time ^{*3} (seconds)	29
Memory (MB)	512
Power requirements	220-240V, 50/60 Hz
Power consumption (kW) (Max)	1.15 (200 - 240 V)
Dimensions ^{*8} (mm) (W x D x H)	
MX-C300W	429 x 509 x 421
MX-C250F	429 x 509 x 398
Weight (kg)	
MX-C300W	29
MX-C250F	28

Copier

Original paper size (Max)	A4
First copy time ^{*9} (seconds)	
B/W	18
Colour	10
Continuous copies (Max)	999
Print resolution (dpi)	
Scan	600 x 600, 600 x 400 (default)
Print	600 x 600
Gradation levels	256
Zoom range (%)	25 – 400 (25 – 200 using RSPF/SPF) in 1% increments
Preset copy ratios (Metric)	8 (4R/4E)

Wireless LAN (MX-C300W)

Compliant regulation	IEEE802.11n/g/b
Access mode	Infrastructure mode, Software AP mode
Security	WEP, WPA Personal, WPA2 Personal

Network Scanner

Scan method	Push scan (via operation panel) Pull scan (TWAIN-compliant application)
Resolution (dpi)	
Push scan	100, 150, 200, 300, 400, 600
Pull Scan	75, 100, 150, 200, 300, 400, 600 50 - 9,600 via user setting
File formats	TIFF, PDF, JPEG (colour only)
Scan destinations	Scan to e-mail, FTP server, network folder (SMB), USB memory, desktop
Scanner utilities	Network Scanner Tool, TWAIN, Sharpdesk Mobile

Network Printer

Resolution (dpi)	600 x 600
Interface	USB 2.0 10Base-T/100Base-TX
Supported OS	Windows® XP, Windows Server® 2003/2008/2008R2/2012, Windows Vista®, Windows® 7, Windows® 8 Mac OS X 10.4, 10.5, 10.6, 10.7, 10.8
Network protocols	TCP/IP (IPv4, IPv6), IPP, Bonjour
Printing protocols	LPR, Raw TCP (port 9100), FTP, IPP
PDL	PCL6, PS3
Available fonts	
PCL	80
PS3	136
Printer Utilities	Sharpdesk Mobile

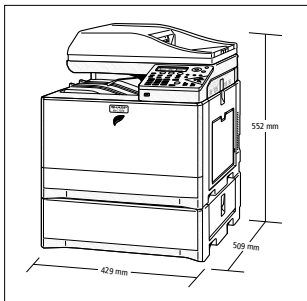
Fax

Compression method	MH/MR/MMR/JBIG
Communication protocol	Super G3
Transmission time ^{*19} (seconds)	Less than 3
Modem speed (bps)	33,600 – 2,400 with automatic fallback
Transmission resolution (dpi)	
Std	203.2 x 97.8
Fine	203.2 x 195.6
Super Fine	203.2 x 391
Recording width	A4 – A6
Memory (MB)	8

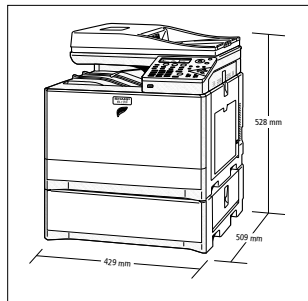
Toner Yields

MX-C300W/250F	MXC30GTC/TM/TY	MXC30GTB
Cyan (pages at 5% coverage)	6,000	-
Magenta (pages at 5% coverage)	6,000	-
Yellow (pages at 5% coverage)	6,000	-
Black (pages at 5% coverage)	-	6,000

External Dimensions



MX-C300W



MX-C250F

*1 At rated voltage. May vary depending on machine conditions and operating environment. *2 Best achieved time based on A4 copy, long-edge feeding from 1st paper drawer, using glass, when machine is ready, without Auto Colour Mode and Auto Colour Selection. May vary depending on machine conditions and operating environment. *3 Based on Sharp's standard chart with approx. 700 characters (A4 portrait) at standard resolution in Super G3 mode, 33,600bps, JBIG compression.

Design and specifications are subject to change without prior notice. All information was correct at time of print. Windows, Windows XP, Windows Server and Windows Vista are registered trademarks of Microsoft Corporation. All other company names, product names and logotypes are trademarks or registered trademarks of their respective owners. ©Sharp Corporation March 2014. Ref: MX-C300W/MX-C250F. All trademarks acknowledged. E&OE.